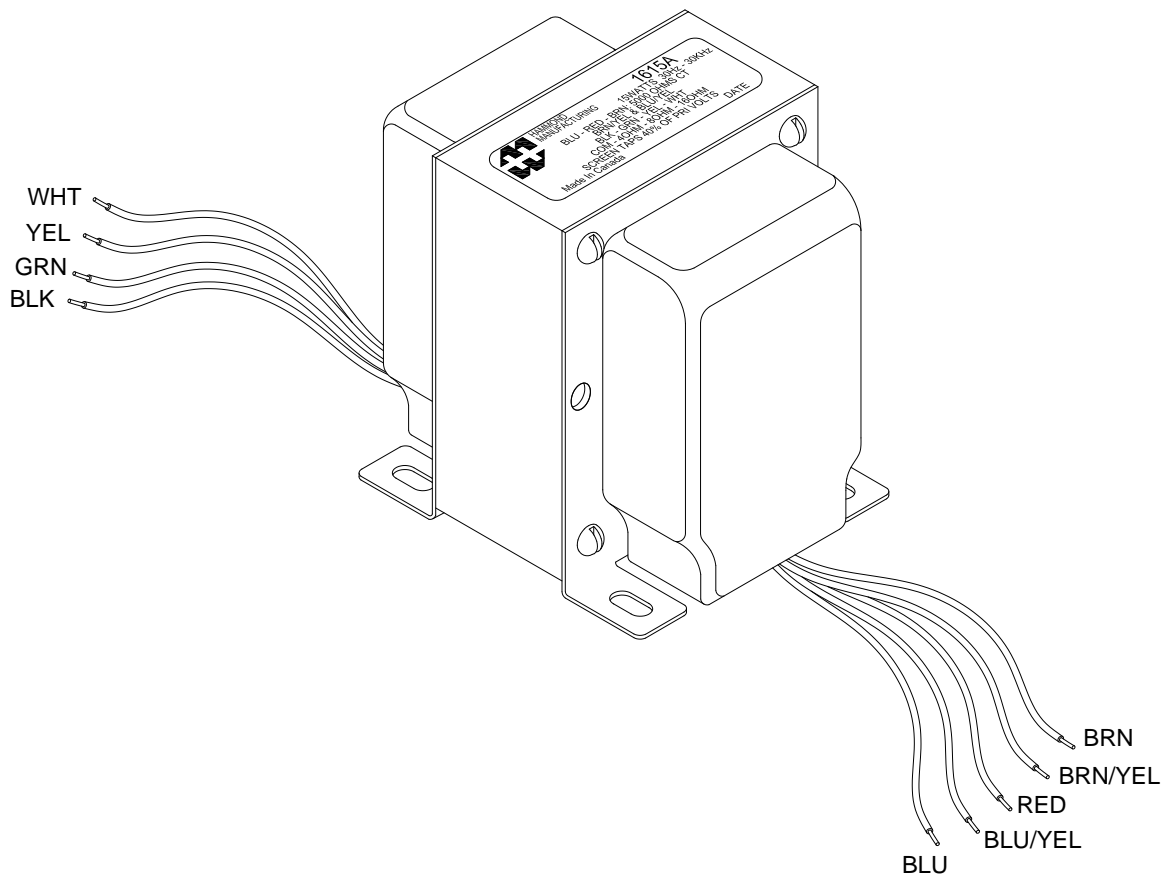




1615A

HI-FI AUDIO OUTPUT MULTIPLE SECONDARY TRANSFORMER

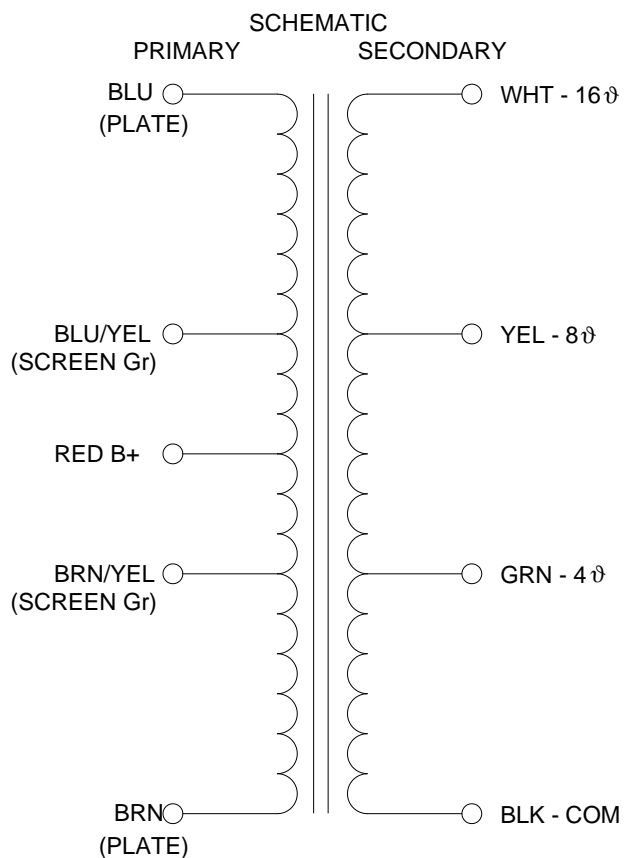
-) NEW & improved version of our 1608-1650 Series multiple secondary output transformers (Re-designed secondaries for easy hook-up of secondary loads).
-) Designed for push-pull tube output circuits.
-) Units are designed to provide ample "headroom" at bass frequencies (Note the weight of each transformer).
-) All models have a secondary tapped for 4, 8 or 16 ohm outputs.
-) Enclosed (shielded), 4 slot, above chassis Type "X" mounting.
-) Manufactured with plastic coil forms for coil support and insulation.
-) Frequency response 30Hz. to 30Khz. at full rated power (+/- 1db max. - ref. 1Khz) minimum.
-) Insulated flexible leads 8" min.
-) Included 40% screen taps for Ultra-Linear operation (if desired).
-) Typical applications - Push-Pull: triode, Ultra-Linear pentode, pentode and tetrode connected audio output.



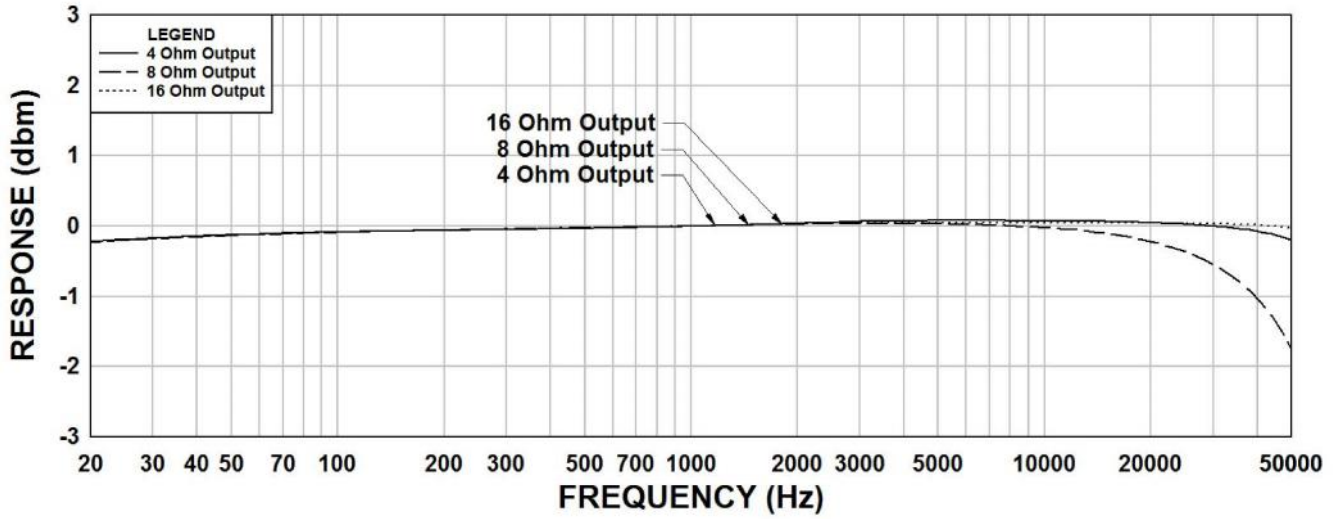
*For Full Dimensional Details see page 4

ELECTRICAL SPECIFICATIONS****Schematic and Hook Up Data**

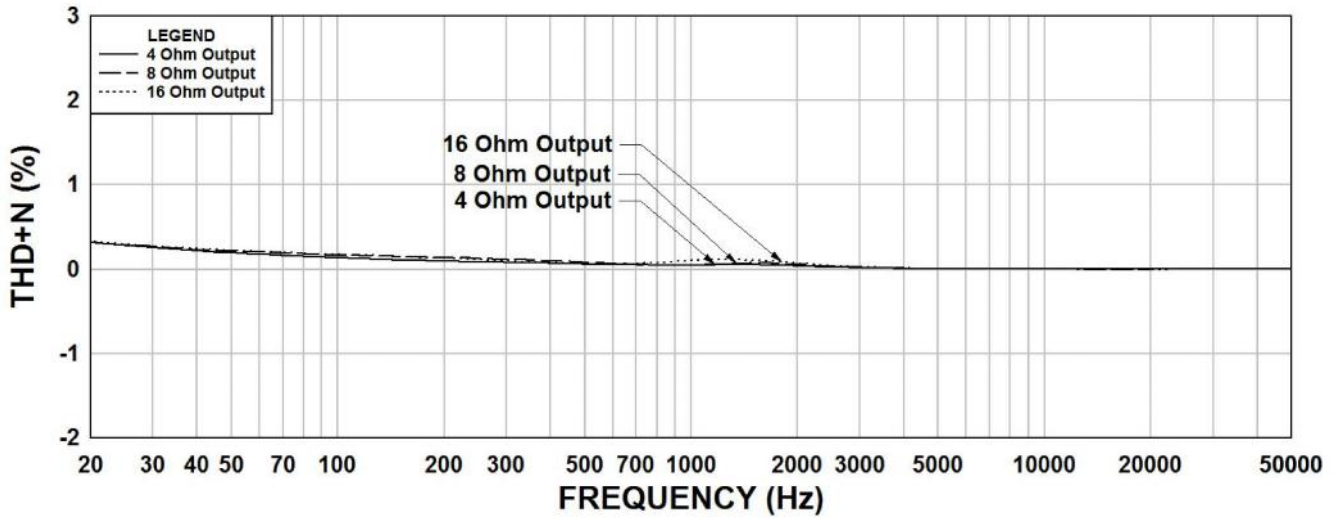
Characteristic	Typical
Input Impedance	5000 \varnothing
Output Impedance	4 \varnothing /8 \varnothing /16 \varnothing
Output Power	15Watts
Primary - DCR	
Blue – Brown	181.8 \varnothing
Secondary DCR	
Black – Green	193m \varnothing
Black – Yellow	307m \varnothing
Black – White	379m \varnothing
Inductance	@ 1.0kHz, 1.0V OC
Primary – Blue – Brown	7.5Hy
Black – Green	70.2mH
Black – Yellow	125.9mH
Black – White	210.4mH
Impedance	@ 1.0kHz, 1.0V OC
Primary – Blue – Brown	46.6K \varnothing
Black – Green	186.4 \varnothing
Black – Yellow	356.3 \varnothing
Black – White	612.8 \varnothing
Frequency Response	See graphs for specific response, Typ. $\left\{ \begin{array}{l} 1.0\text{db from} \\ 30\text{Hz to } 30\text{KHz} \end{array} \right.$
Dielectric Strength	2000Vrms
Temperature Range	-40 To 105 \varnothing C



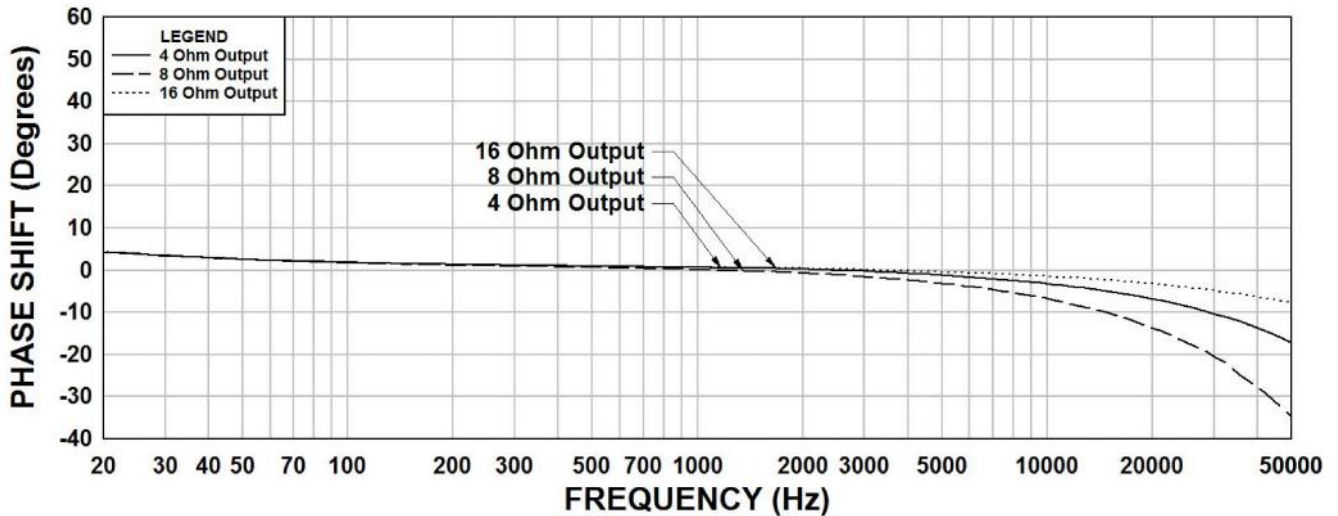
1615A Frequency Response $R_s = 5K$ Ohms



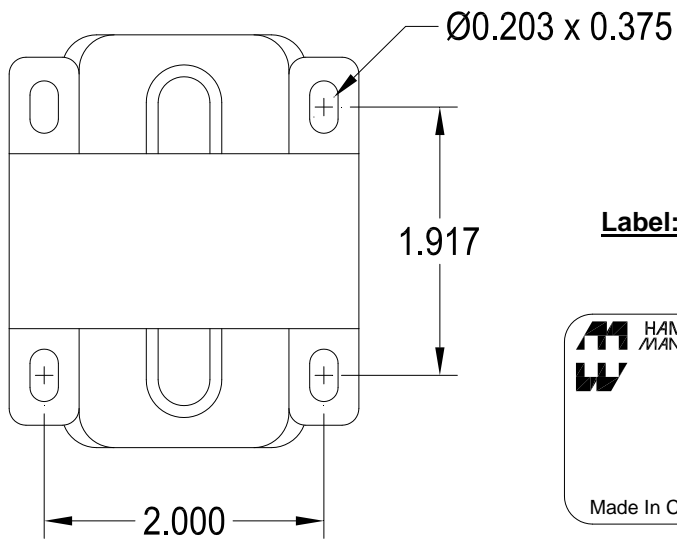
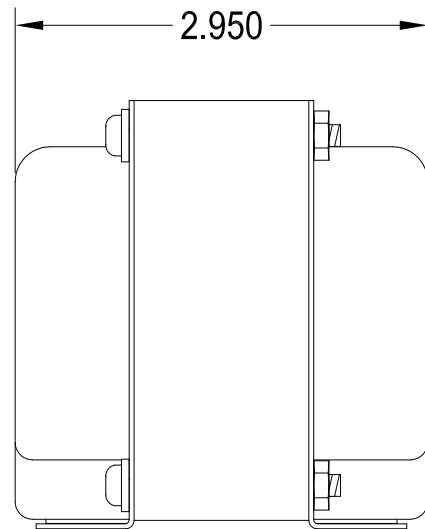
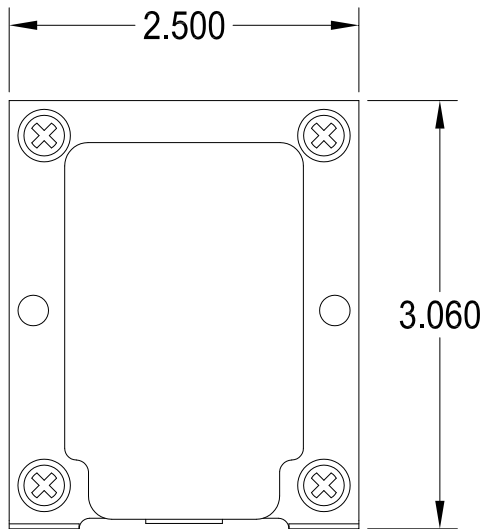
1615A THD+N $R_s = 5K$ Ohms



1615A Phase Shift $R_s = 5K$ Ohms



Dimensional Details:

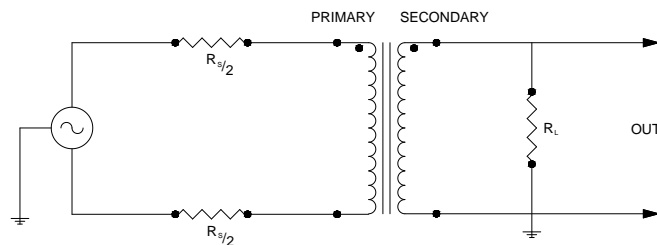


Label:

	HAMMOND MANUFACTURING _{INC.}	1615A
	15WATTS 30Hz - 30KHz	
BLK - GRN - YEL - WHT		
COM - 4OHM - 8OHM - 16OHM		
BLU - RED - BRN: 5000 OHMS CT		
BRN/YEL & BLU/YEL		
SCREEN TAPS 40% OF PRI VOLTS		
Made In Canada		DATE

TYPICAL TEST CIRCUIT

Measurement instruments
 Hp4192a impedance analyzer
 Hp3456a DVM
 Keithley 2002 DVM
 D scope series iii audio analyzer
 Wayne Kerr 3255B with a 3265B



* All graphs input level 20dbu.
 ** The results are typical and are subject to normal manufacturing and electrical tolerances.