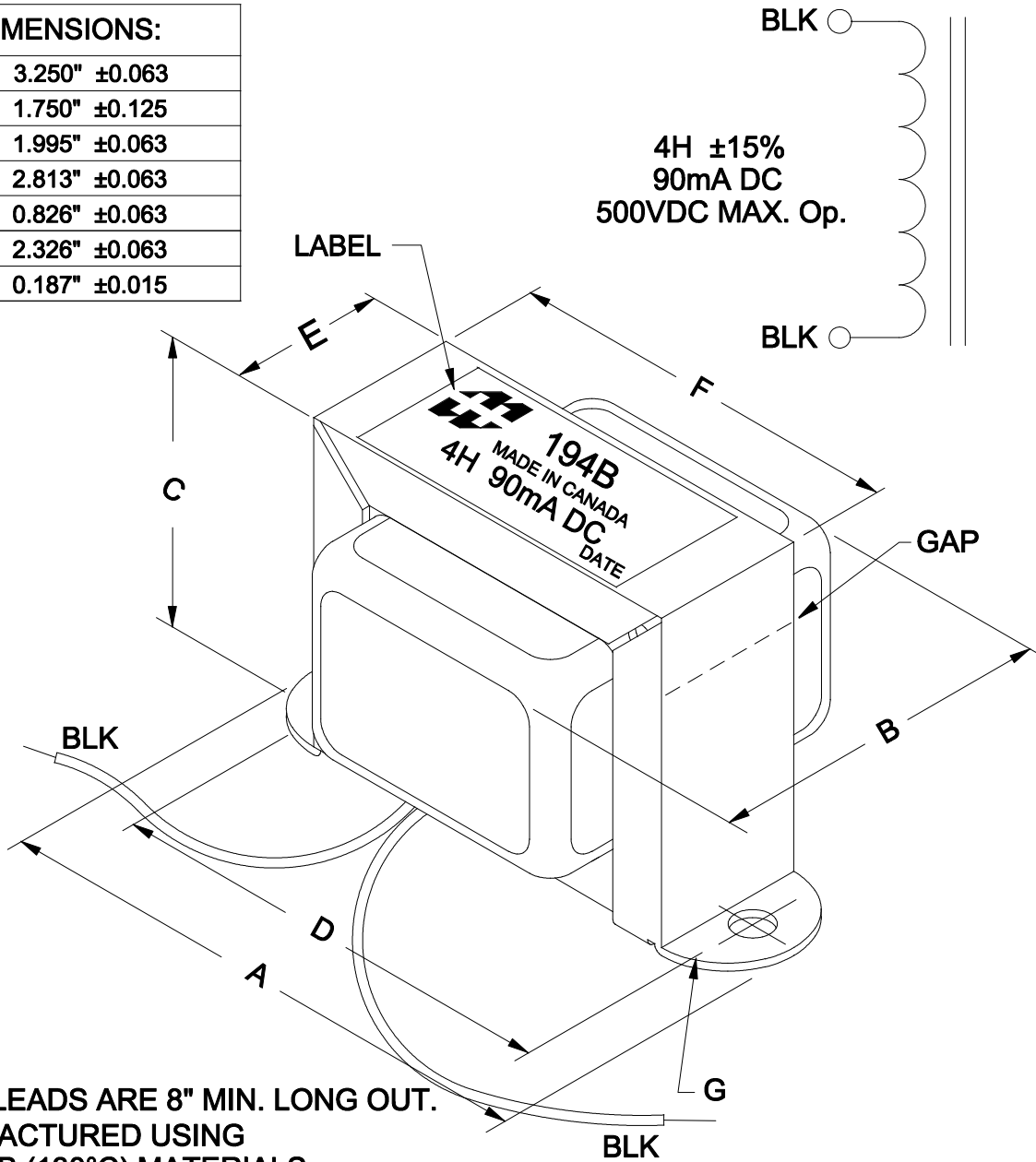


DIMENSIONS:	
A	3.250" ±0.063
B	1.750" ±0.125
C	1.995" ±0.063
D	2.813" ±0.063
E	0.826" ±0.063
F	2.326" ±0.063
G	0.187" ±0.015



NOTE: LEADS ARE 8" MIN. LONG OUT.
 MANUFACTURED USING
 CLASS B (130°C) MATERIALS.
 RoHS COMPLIANT

ELECTRICAL DATA:		
TESTS	CONDITIONS	ACCEPTANCE CRITERIA
INDUCTANCE	@ 30V, 60Hz, 90mA DC, BLK - BLK	4H ±15%
DCR	@ 20°C, BLK - BLK =	108.0 Ω ±15%
HIPOT	PRIMARY - SECONDARY	1000V, 60Hz, 1 SEC



ELECTRONIC DIVISION
 52 RANKIN PLACE,
 WATERLOO, ONTARIO, N2J 3Z5
 PH # (519) 886-6181
 FAX # (519) 886-9540

TITLE				194B
CHOKE				
NO	DATE	REVISION	DWG. BY	
0	05/17/17	RELEASED.	C.I.	
			DATE	
			05/17/17	
			DIM IN (X)MM ()	