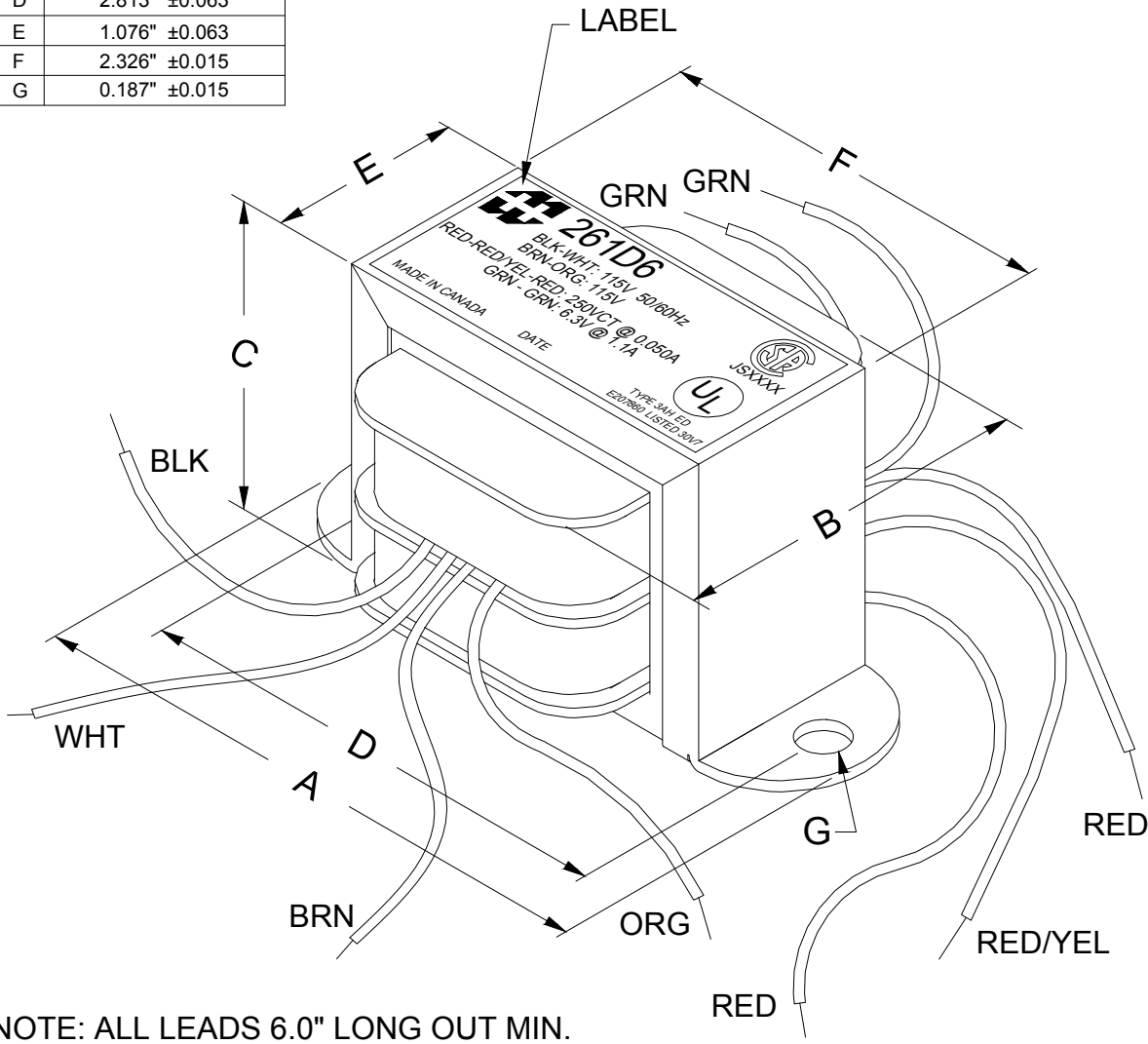
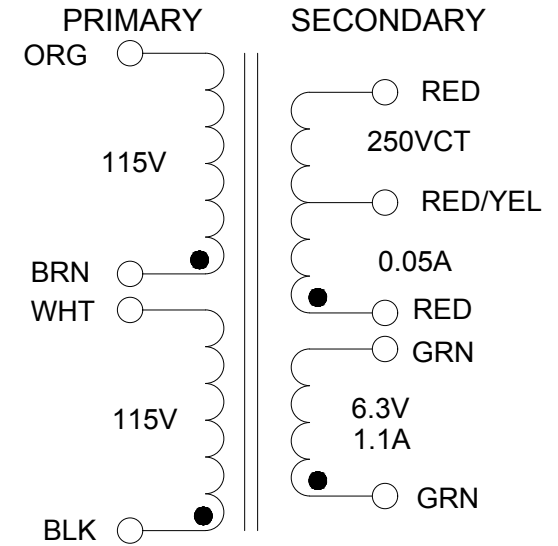


DIMENSIONS:	
A	3.250" ±0.063
B	2.000" ±0.125
C	1.995" ±0.063
D	2.813" ±0.063
E	1.076" ±0.063
F	2.326" ±0.015
G	0.187" ±0.015



NOTE: ALL LEADS 6.0" LONG OUT MIN.



FOR 230V:  
CONNECT WHT & BRN  
FOR 115V:  
CONNECT ORG & WHT,  
BRN & BLK

ELECTRICAL DATA:			
TESTS	CONDITIONS	ACCEPTANCE CRITERIA	
lex	@ 115V, 60Hz, BLK-WHT/BRN-ORG	85mA	Max.
Sec. N.L.V	@ 115V, 60Hz, BLK-WHT/BRN-ORG	RED - RED =	281.0V ±2%
		RED - REDYEL = RED/YEL - RED =	140.5V ±2%
		GRN - GRN =	7.18V ±2%
DCR	@ 20°C, BLK - WHT =	51.30 Ω	±20%
	@ 20°C, BRN - ORG =	55.00 Ω	±20%
	@ 20°C, RED - RED =	297.0 Ω	±20%
	@ 20°C, GRN - GRN =	0.400 Ω	±20%
HIPOT	PRIMARY - SECONDARY	2000V, 60Hz, 1 SEC	

REV.#	REVISION	DATE
0	RELEASED.	08/18/17



**ELECTRONIC DIVISION**  
52 RANKIN PLACE,  
WATERLOO, ONTARIO, N2J 3Z5

PH # (519) 886-6181  
FAX # (519) 886-9540

DWG. BY: C. BACIK	CHK'D BY:	TITLE: POWER TRANSFORMER	DWG. NO. 261D6
DATE: 08/18/17	APP'D. BY:		
	DIMENSIONS: IN(X) MM( )		